

AC BOX TPlus

Overview

The AC BOX TPlus is an integrated management and power equipment that ensures the proper connection of microinverters, batteries and loads, and achieves grid-connection.

CE



Features

Reliable

The system is IP65-rated and double-insulated to protect against dust, water and other environmental hazards. This rugged design allows for easy outdoor installation and ensures that our systems can provide power regardless of the weather condition.

Easy Installation

Solenso systems feature fast, trouble-free installation, eliminating the need for complex, time-consuming reassembly of an in-house power distribution system.

Visualization

The AC BOX TPlus communicates with the DTU, allowing the user to understand the energy production and consumption in the home through the Solenso monitoring platform and the Solenso app.

Technical Specifications

AC Box TPlus for applications with nominal voltage 230-400VAC system, in compliance with NF C 15-100.

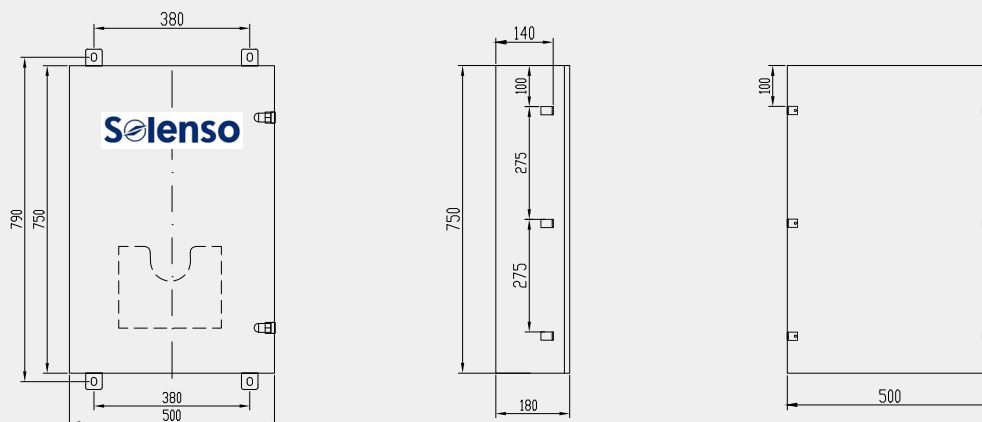
Model	ACBP-T-A
Accessories	
ATS	NXZBN-63S/4B C50A
RCD1	NXBLE-63YH/4P C40A 30mA
QF2	NXB-63/2P C40A
QF3	NXB-63/2P C40A
QF4	NXB-63/2P C40A
QF5	NXB-63/2P C40A
QF6	NXB-63/2P C40A
QF7	NXB-63/2P C40A
QF8	NXB-63/4P C32A
SPD	NXU-II G 20kA/275V 3P+N
Meter	DTSU666

Electrical Specifications

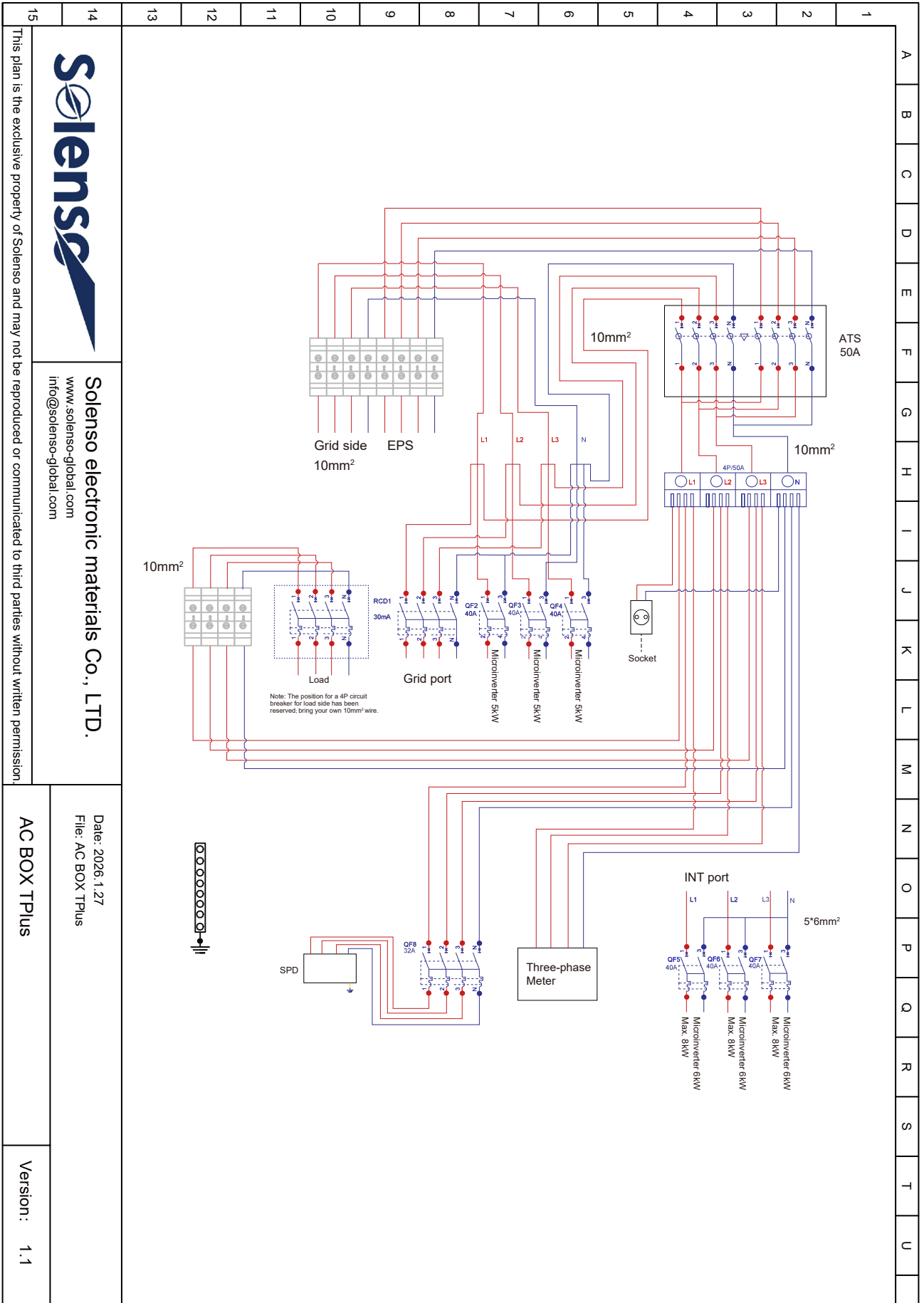
Maximum PV input	33kW
Maximum Output power	33kW
Maximum continuous current rating (input)	50A
Rated Voltage	230-400Vac L1,L2,L3+N+PE

Mechanical Data

Dimensions (W × H × D)	500*750*180mm
Weight	25kg
Ambient temperature range	-35~70°C
Protective rating (IP)	IP65
Cooling	Natural convection



Wire Diagram



Solensa electronic materials Co., LTD.
www.solensa-global.com
info@solensa-global.com

This plan is the exclusive property of Solensa and may not be reproduced or communicated to third parties without written permission.

Date: 2026.1.27
File: AC BOX TPlus

AC BOX TPlus

Version: 1.1