

AC BOX SPlus

Overview

The AC BOX SPlus is an integrated management and power equipment that ensures the proper connection of microinverters, batteries and loads, and achieves grid-connection.



Features

Reliable

The system is IP65-rated and double-insulated to protect against dust, water and other environmental hazards. This rugged design allows for easy outdoor installation and ensures that our systems can provide power regardless of the weather condition.

Easy Installation

Solenso systems feature fast, trouble-free installation, eliminating the need for complex, time-consuming reassembly of an in-house power distribution system.

Visualization

The AC BOX SPlus communicates with the DTU, allowing the user to understand the energy production and consumption in the home through the Solenso monitoring platform and the Solenso app.

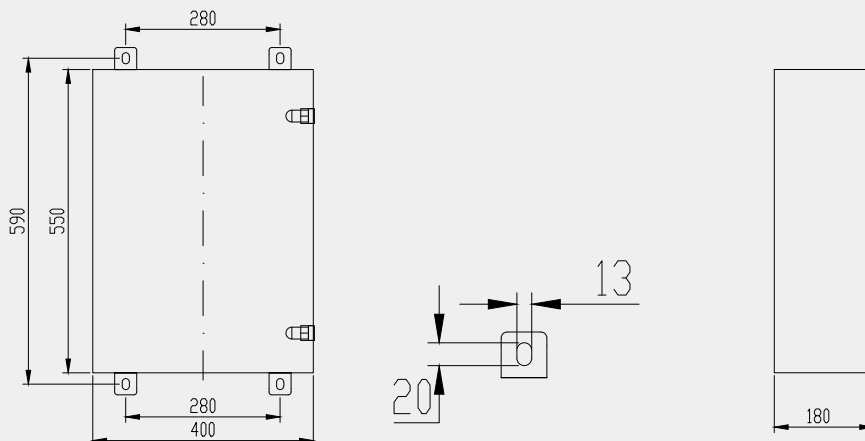
Technical Specifications

AC Box SPlus for applications with nominal voltage 230VAC system, in compliance with NF C 15-100.

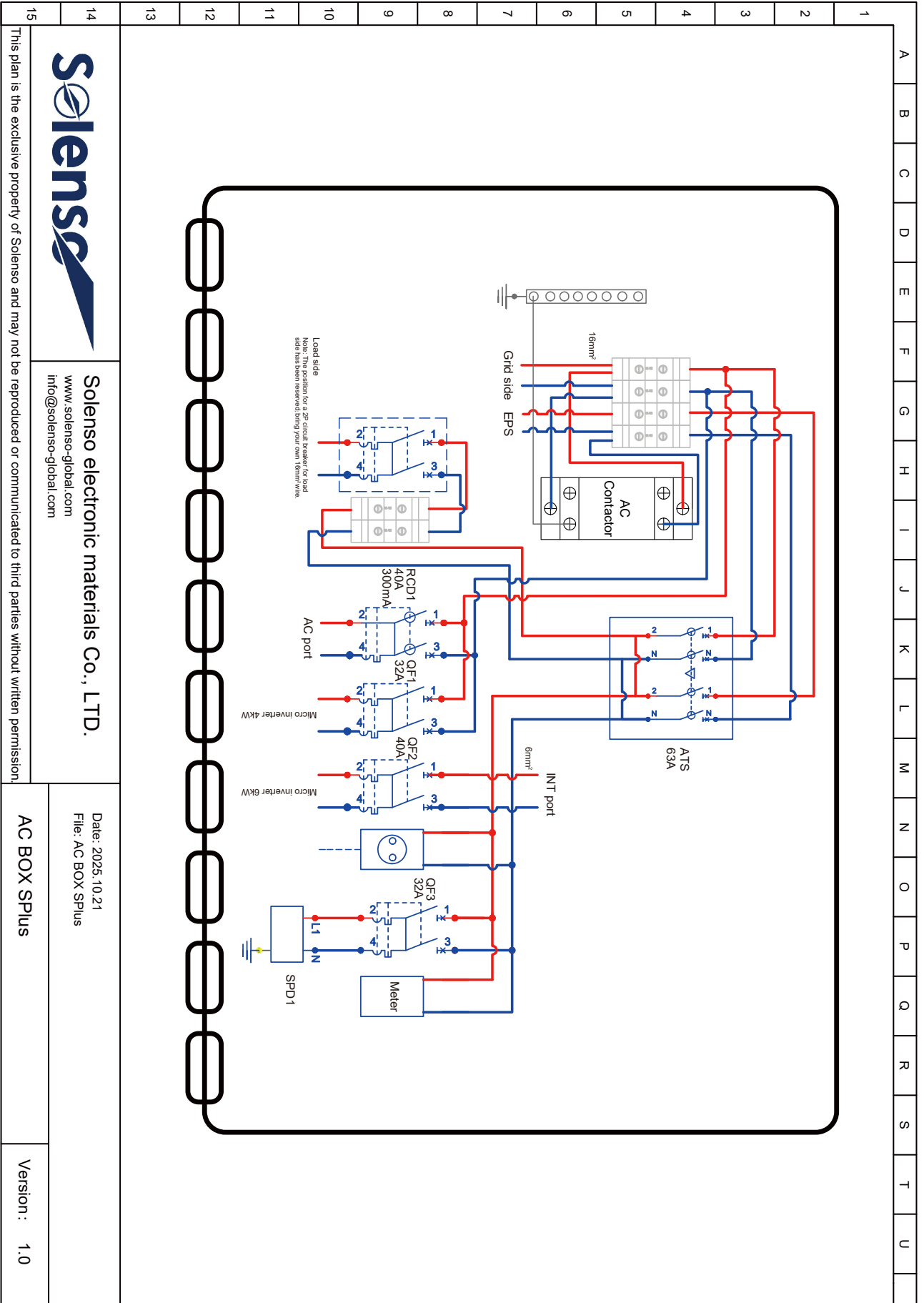
Model	ACBP-S-A
Reference No.	SAACBP-S-A-B
Accessories	
ATS	NXZBN-63S/2B C63A
Meter	DDSU666
Breaker	NXB-63/2P C32A
Breaker	NXB-63/2P C40A
SPD	NXU-IIG 20kA/275V 1P+N
RCD	NB5LE-63/2P C40A 300mA Type B
CT	Accurate up to 1.0%

Electrical Specifications	
Maximum PV input	10kW
Maximum Output power	10kW
Maximum continuous current rating (input)	63A
Rated Voltage	230V a.c. L+N+PE

Mechanical Data	
Dimensions (W × H × D)	400*550*180mm
Weight	17.5kg
Ambient temperature range	-35~70°C
Protective rating (IP)	IP65
Cooling	Natural convection



Wire Diagram



Solenso electronic materials Co., LTD.
www.solenso-global.com
info@solenso-global.com

Date: 2025.10.21
File: AC BOX SPlus

AC BOX SPlus

Version: 1.0

This plan is the exclusive property of Solenso and may not be reproduced or communicated to third parties without written permission.